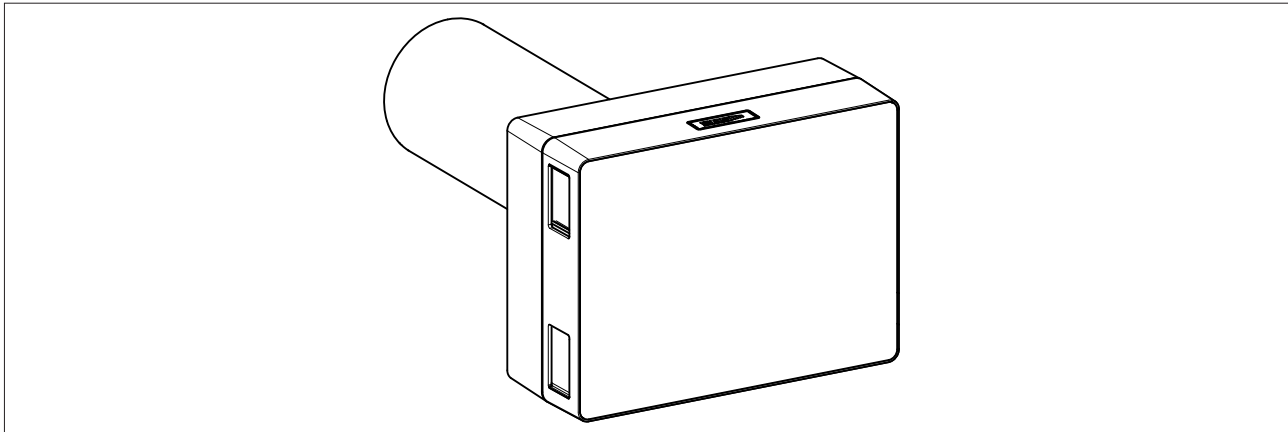


## 1 AEROPLUS WRG



### 1.1 Application

- The AEROPLUS WRG is a wall-mounted ventilator with supply air and exhaust-air function, heat recovery and a temperature and humidity sensor.
- The AEROPLUS WRG smart is a wall-mounted ventilator with supply-air and exhaust-air function, heat recovery and a humidity and CO<sub>2</sub> sensor, and it can also be controlled using the SIEGENIA Comfort app.

### 1.2 Functionality

- The low-noise AEROPLUS WRG provides controlled and energy-saving ventilation of enclosed spaces.
- Two blowers, one for supply air and one for exhaust air, guarantee a continuous exchange of air. Heat is recovered by means of a rotary heat exchanger.
- The outside air is filtered and warmed before being fed into the room. The stale exhaust air is filtered and returned to the outside.

**1.3 Functions**

Functional element	Device type	
	AEROPLUS WRG	AEROPLUS WRG smart
Exhaust-air filter ISO Coarse ≥ 30%	●	●
Supply-air filter ISO Coarse ≥ 45%	●	●
Supply-air filter ISO ePM1 ≥ 50%	○	○
Supply-air filter NOx	○	○
Touch control	●	●
WIFI / Operation via SIEGENIA Comfort app	-	●
Inside temperature and humidity sensor	●	●
Outside temperature and humidity sensor	●	●
CO <sub>2</sub> sensor	-	●
Different blower levels	●	●
Automatic mode	●	●
Child-proof lock	●	●
Condensate and frost protection control	●	●
Manual close	●	●
Filter replacement indicator	●	●
External inputs	●	●
Deactivation of heat recovery	●	●
SI-BUS	●	●

Symbol	Explanation
●	Standard version
○	Optional or alternative version
-	not available

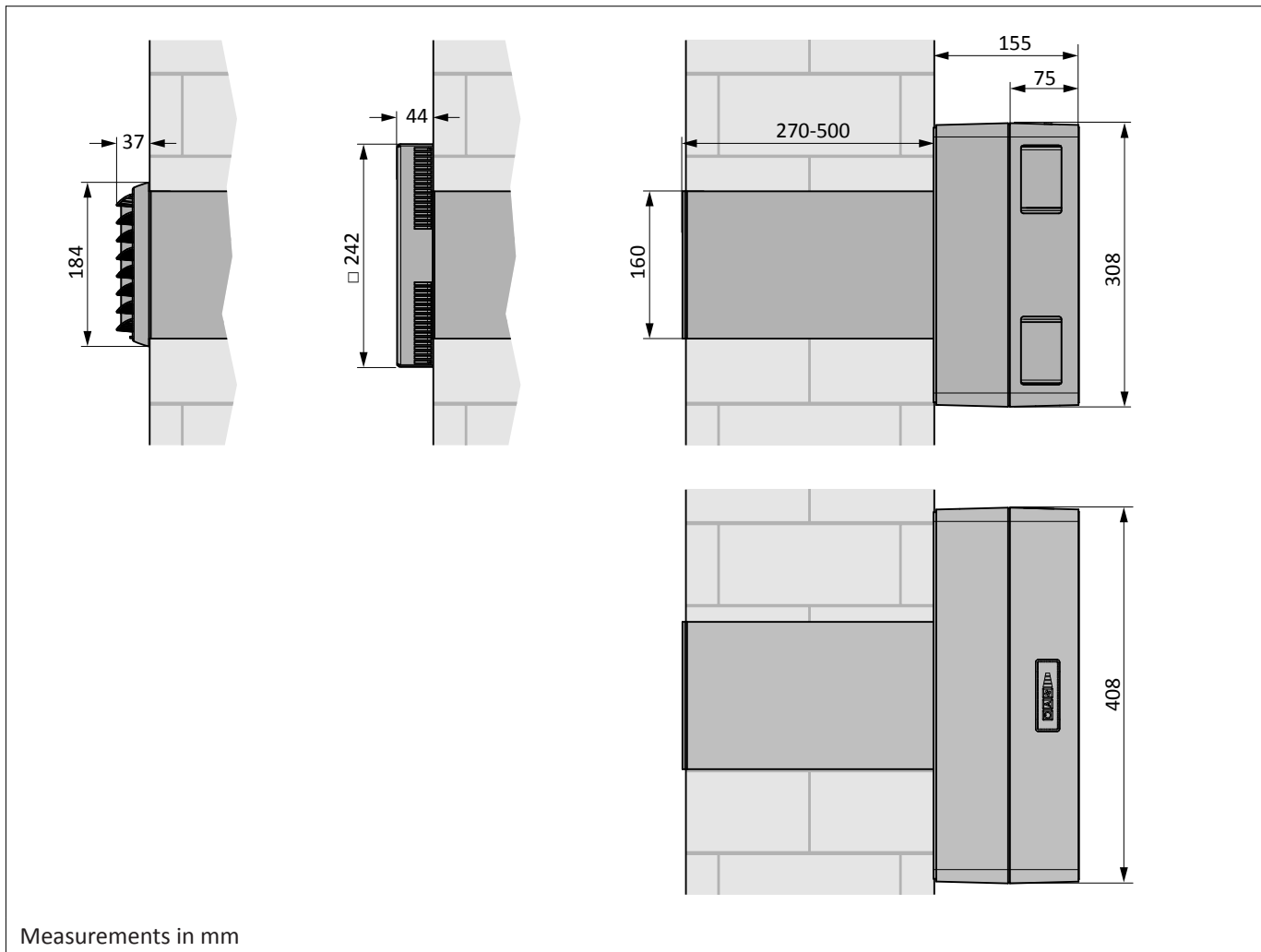
## 1.4 Technical specifications

The technical specifications have been determined with an ISO Coarse 45% supply-air filter and ISO Coarse 30% exhaust-air filter.

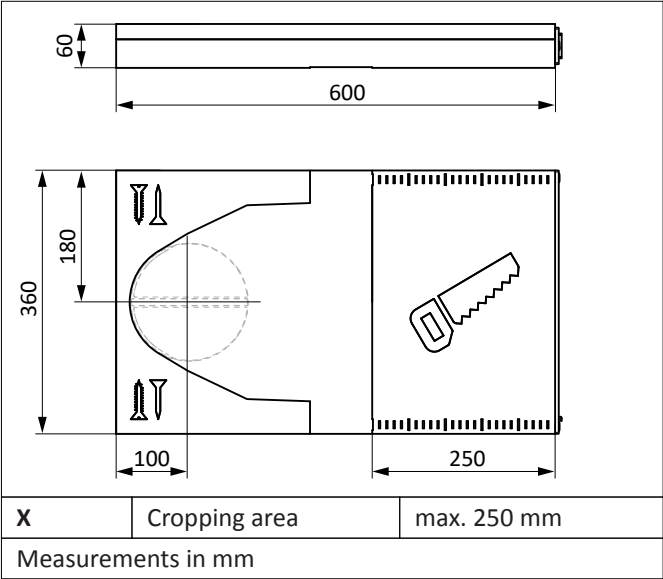
		AEROPLUS WRG	AEROPLUS WRG smart
Sound absorption in ventilation mode Pipe length 270/340/500 mm (measured in accordance with DIN EN 10140-2)	with PVC weather grille	49/50/50 dB	49/50/50 dB
	with weather protection hood	51/52/52 dB	51/52/52 dB
	with EPP vent duct	54/55/57 dB	54/55/57 dB
Air throughput	Blower level 1	10 m <sup>3</sup> /h	10 m <sup>3</sup> /h
	Blower level 2	20 m <sup>3</sup> /h	20 m <sup>3</sup> /h
	Blower level 3	30 m <sup>3</sup> /h	30 m <sup>3</sup> /h
	Blower level 4	45 m <sup>3</sup> /h	45 m <sup>3</sup> /h
	Blower level 5	60 m <sup>3</sup> /h	60 m <sup>3</sup> /h
Inherent noise L <sub>pA</sub> (measured according to DIN EN ISO 13141-8, sound pressure level with room insulation of 8 dB)	Blower level 1	19 dB (A)	19 dB (A)
	Blower level 2	23 dB (A)	23 dB (A)
	Blower level 3	26 dB (A)	26 dB (A)
	Blower level 4	31 dB (A)	31 dB (A)
	Blower level 5	36 dB (A)	36 dB (A)
Heat recovery efficiency		max. 93%	max. 93%
Power consumption	Blower level 1	5 W	6 W
	Blower level 2	6 W	7 W
	Blower level 3	7 W	8 W
	Blower level 4	10 W	11 W
	Blower level 5	15 W	17 W
Supply voltage		230 V AC	230 V AC
Supply frequency		50 Hz	50 Hz
Operating voltage		24 V DC	24 V DC
Protection class		II	II
Weight		5.6 kg	5.6 kg
Permissible operating temperature		-15 – +40 °C	-15 – +40 °C
Length of connecting cable		5 m	5 m

**1.5 Dimensions**

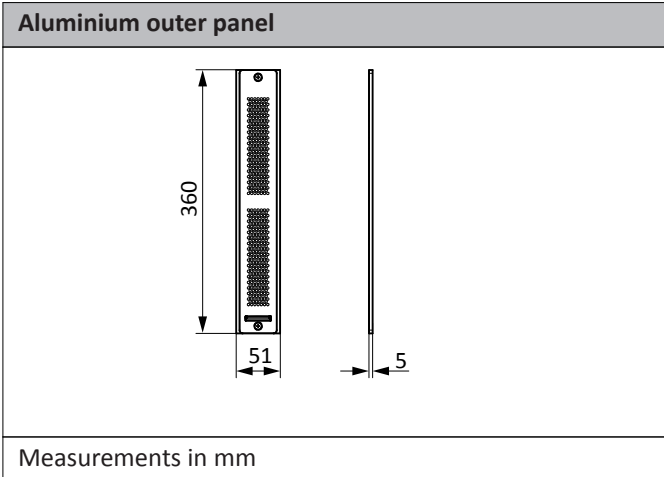
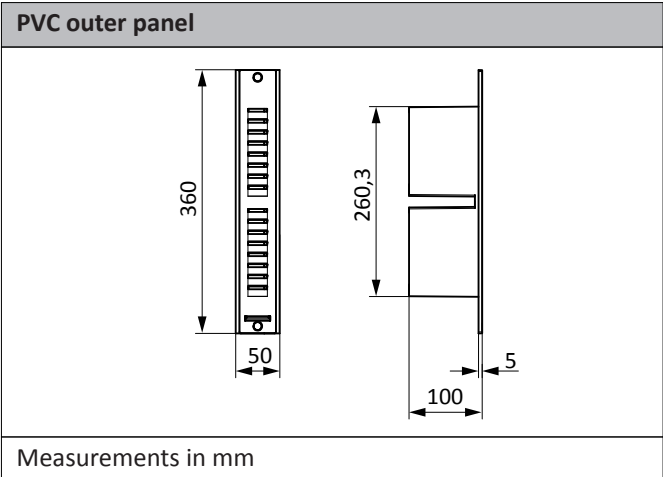
**1.5.1 Dimensions of AEROPLUS WRG and weather grippe variants**



1.5.2 Dimensions of vent duct



1.5.3 Dimensions of outer panels for vent duct



**1.6 Required components**

Name		Contents	Pc.	Material number
Supply-air filter	Supply-air filter ISO Coarse	Supply-air filter ISO Coarse 45%	1	L3350010-093010
	Supply-air filter ePM1	Supply-air filter ISO ePM1 50%	1	L3350020-093010
	Supply-air filter NOx	Supply-air filter NOx	1	L3350030-093010
External components	PVC weather grille	PVC weather grille in white (similar to RAL9016)	1	L5350130-004010
	Weather protection hood	Stainless steel weather protection hood	1	L5350140-000010
	EPP vent duct, type FL with PVC outer panel	EPP vent duct, type FL for AEROPLUS WRG	1	L5350170-097010
		PVC outer panel for EPP vent duct, type FL for AEROPLUS WRG	1	L5350180-002010
	EPP vent duct, type FL with aluminium outer panel	EPP vent duct, type FL for AEROPLUS WRG	1	L5350170-097010
Aluminium outer panel for EPP vent duct, type FL for AEROPLUS WRG		1	L5350190-500010	

**1.7 Accessories**

Name	Contents	Pc.	Material number
Exhaust-air filter	Exhaust-air filter ISO Coarse 30%	2	L3350040-093010
Felt front panel	Front panel with felt cover	1	L5350110-097010
Front panel in pearl dark grey	Front panel in pearl dark grey (similar to RAL9023)	1	L5350120-0F9010
Ventilation control unit	Ventilation control unit for external operation	1	L7360010-004010
Ventilation control unit sensors	Ventilation control unit with integrated sensors for external operation	1	L7360020-004010